

PROCUREMENT SERVICES FROM

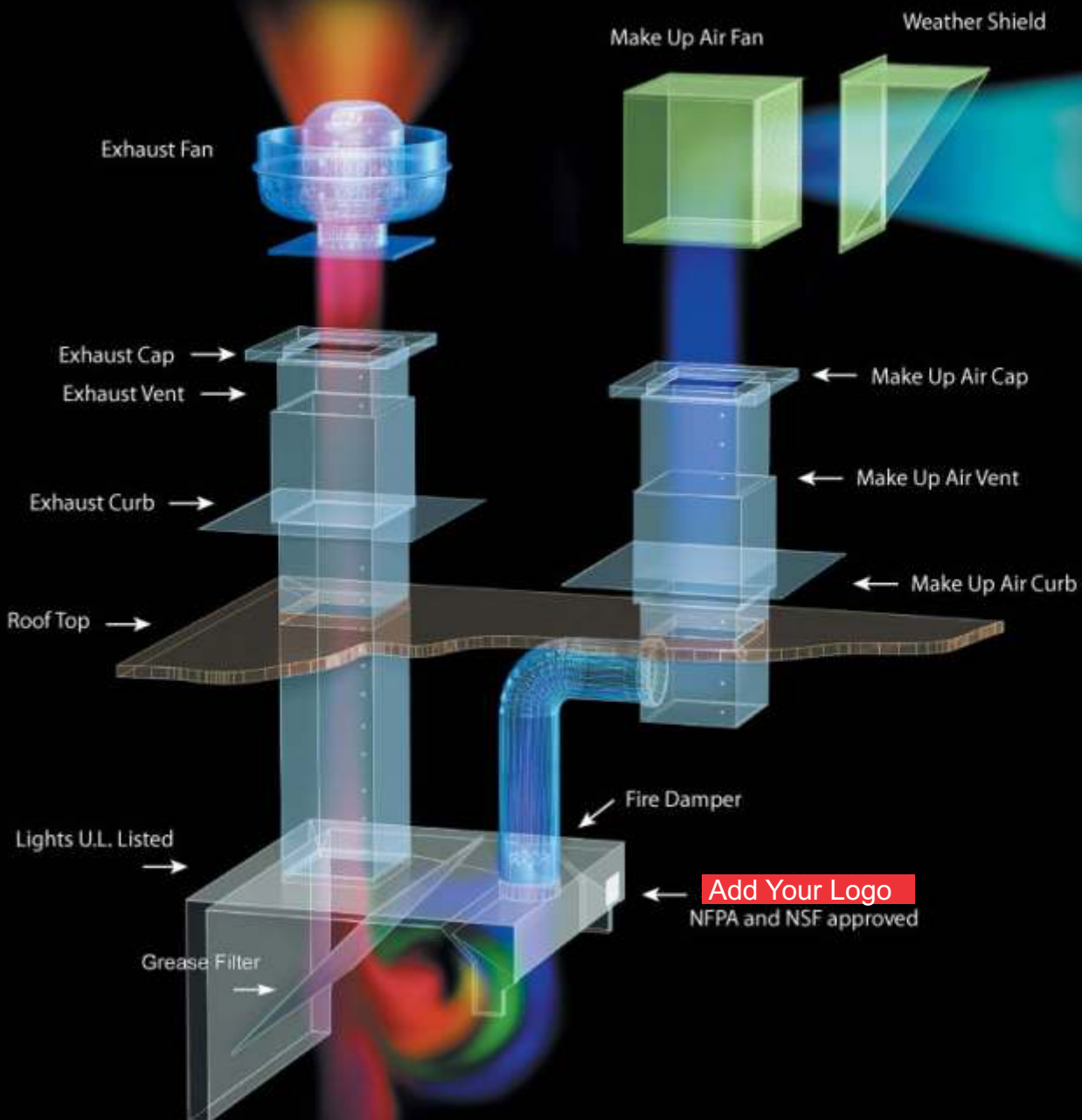
**B D F S**

BuyDirectFromSuppliers.com



Contact:  
Georgia:  
Brent Gilbertson  
678-361-5559  
[Brent@BuyDirectFromSuppliers.com](mailto:Brent@BuyDirectFromSuppliers.com)

# RESTAURANT HOOD BREAKOUT



# Grease Filters - Baffle Filters

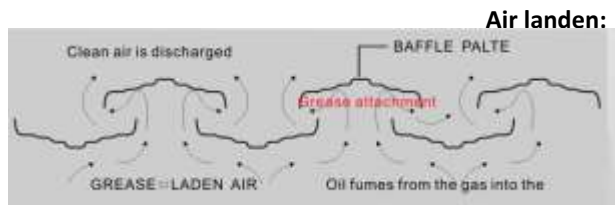
Contact:  
 Georgia:  
 Brent Gilbertson  
 678-361-5559  
[Brent@BuyDirectFromSuppliers.com](mailto:Brent@BuyDirectFromSuppliers.com)

Type M:



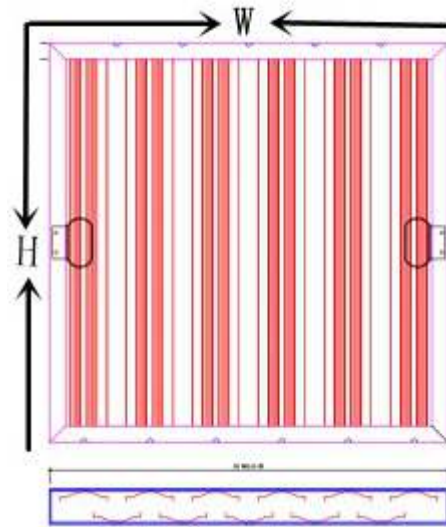
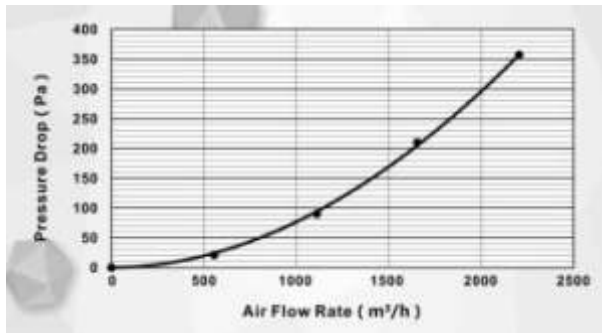
## Standard Features

- Available in 430 Stainless Steel
- Many size combinations available



- Made with Stainless steel 430 (0.5mm)/Galvanized(0.5mm)/ Aluminum(0.7mm)
- Heavy duty, self enclosed / dual-rivet construction
- Corrosion resistant
- Ridged baffles for maximum grease removal
- UL,CUL Listed / NSF

Airflow data of 20\*20\*2:



## Stainless Steel Grease Filter

Model Numbers	Dimensions (in)	Case Quantity	Pieces per Case per pallet	Cases per Pallet
IDFC-SS1616-M	15-1/2" x 15-1/2" x 1-3/4"	10	300	30
IDFC-SS1620-M	15-1/2" x 19-1/2" x 1-3/4"	10	200	20
IDFC-SS1625-M	15-1/2" x 24-1/2" x 1-3/4"	10	200	20
IDFC-SS2016-M	19-1/2" x 15-1/2" x 1-3/4"	10	240	24
IDFC-SS2020-M	19-1/2" x 19-1/2" x 1-3/4"	10	160	16
IDFC-SS2025-M	19-1/2" x 24-1/2" x 1-3/4"	10	160	16
IDFC-SS2520-M	24-1/2" x 19-1/2" x 1-3/4"	10	160	16

# Grease Filters - Baffle Filters

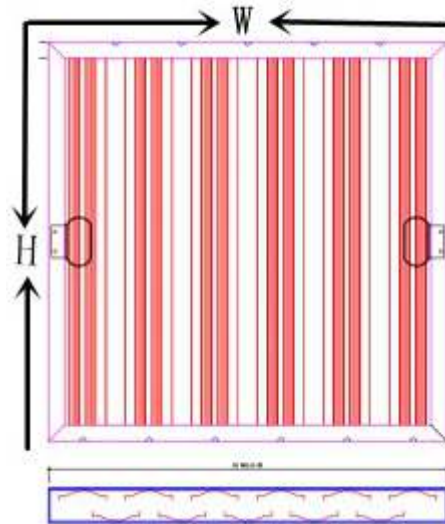
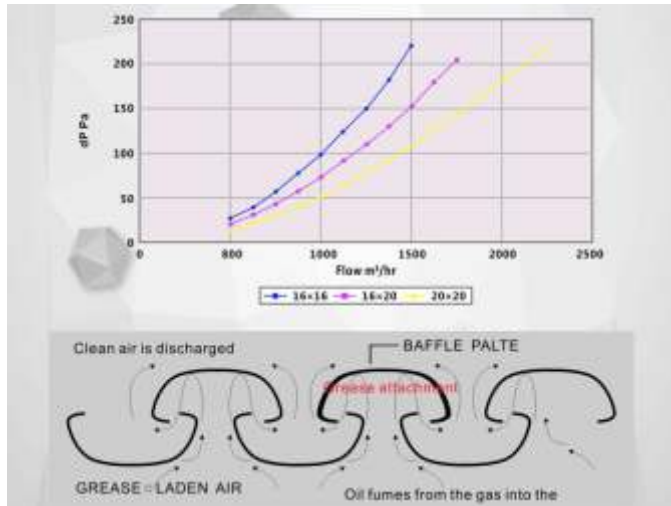
## Type U:



- Made with Stainless steel 430, Galvanized, Aluminum
- Optional pricing available for 201 SS & 304 SS
- Smooth "cut safe" baffles
- Riveted construction
- Corrosion resistant
- Available with Snap-On hooks for CaptiveAire hoods
- UL,CUL Listed / NSF UNSPSC Code #40161505



Air flow



## Aluminum Grease Filter

Model Numbers	Dimensions (in)	Case Quantity	Pieces per Case per pallet	Cases per Pallet	Price Each / Price Case
IDFC-AL1616-U	15-1/2" x 15-1/2" x 1-3/4"	10	300	30	
IDFC-AL1620-U	15-1/2" x 19-1/2" x 1-3/4"	10	200	20	
IDFC-AL1625-U	15-1/2" x 24-1/2" x 1-3/4"	10	200	20	
IDFC-AL2016-U	19-1/2" x 15-1/2" x 1-3/4"	10	240	24	
IDFC-AL2020-U	19-1/2" x 19-1/2" x 1-3/4"	10	160	16	
IDFC-AL2025-U	19-1/2" x 24-1/2" x 1-3/4"	10	160	16	
IDFC-AL2520-U	24-1/2" x 19-1/2" x 1-3/4"	10	160	16	

## Stainless Steel Grease Filter

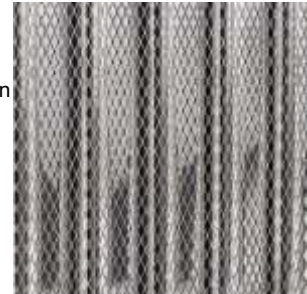
Model Numbers	Dimensions (in)	Case Quantity	Pieces per Case per pallet	Cases per Pallet	Price Each / Price Case
IDFC-SS1616-U	15-1/2" x 15-1/2" x 1-3/4"	10	300	30	
IDFC-SS1620-U	15-1/2" x 19-1/2" x 1-3/4"	10	200	20	
IDFC-SS1625-U	15-1/2" x 24-1/2" x 1-3/4"	10	200	20	
IDFC-SS2016-U	19-1/2" x 15-1/2" x 1-3/4"	10	240	24	
IDFC-SS2020-U	19-1/2" x 19-1/2" x 1-3/4"	10	160	16	
IDFC-SS2025-U	19-1/2" x 24-1/2" x 1-3/4"	10	160	16	
IDFC-SS2520-U	24-1/2" x 19-1/2" x 1-3/4"	10	160	16	

## Stainless Steel Spark Arrestor Filters - Baffle Filters



### Higher Performance. Higher Standards.

- + Spark Arrestor constructed of stainless steel mesh in Stainless Steel frame
- + All-in-one construction for ease of handling
- + Available in same sizes as standard baffle filter,
- + Easy cleaning: Hot water and dish soap can clean standard grease build up
- + Supplied with Snap-In-Handles for easy installation



Spark Arrestor grease filters are required in solid fuel cooking applications where sparks and embers are generated. Spark Arrestors prevent sparks or embers from entering the baffle filter, exhaust hood and duct system for safety and performance.

- Made with Stainless steel 430
- Extra heavy / welded construction
- Corrosion resistant
- Must order in case quantities of 10



### Stainless Steel Grease Filter

Model Numbers	Dimensions (in)	Case Quantity	Pieces per Case per pallet	Cases per Pallet
IDFC-SS1616-SA	15-1/2" x 15-1/2" x 1-3/4"	10	300	30
IDFC-SS1620-SA	15-1/2" x 19-1/2" x 1-3/4"	10	200	20
IDFC-SS1625-SA	15-1/2" x 24-1/2" x 1-3/4"	10	200	20
IDFC-SS2016-SA	19-1/2" x 15-1/2" x 1-3/4"	10	240	24
IDFC-SS2020-SA	19-1/2" x 19-1/2" x 1-3/4"	10	160	16
IDFC-SS2025-SA	19-1/2" x 24-1/2" x 1-3/4"	10	160	16
IDFC-SS2520-SA	24-1/2" x 19-1/2" x 1-3/4"	10	160	16

## 18 Ga. Galvanized Steel Grease Box for Upblast Exhaust Fan

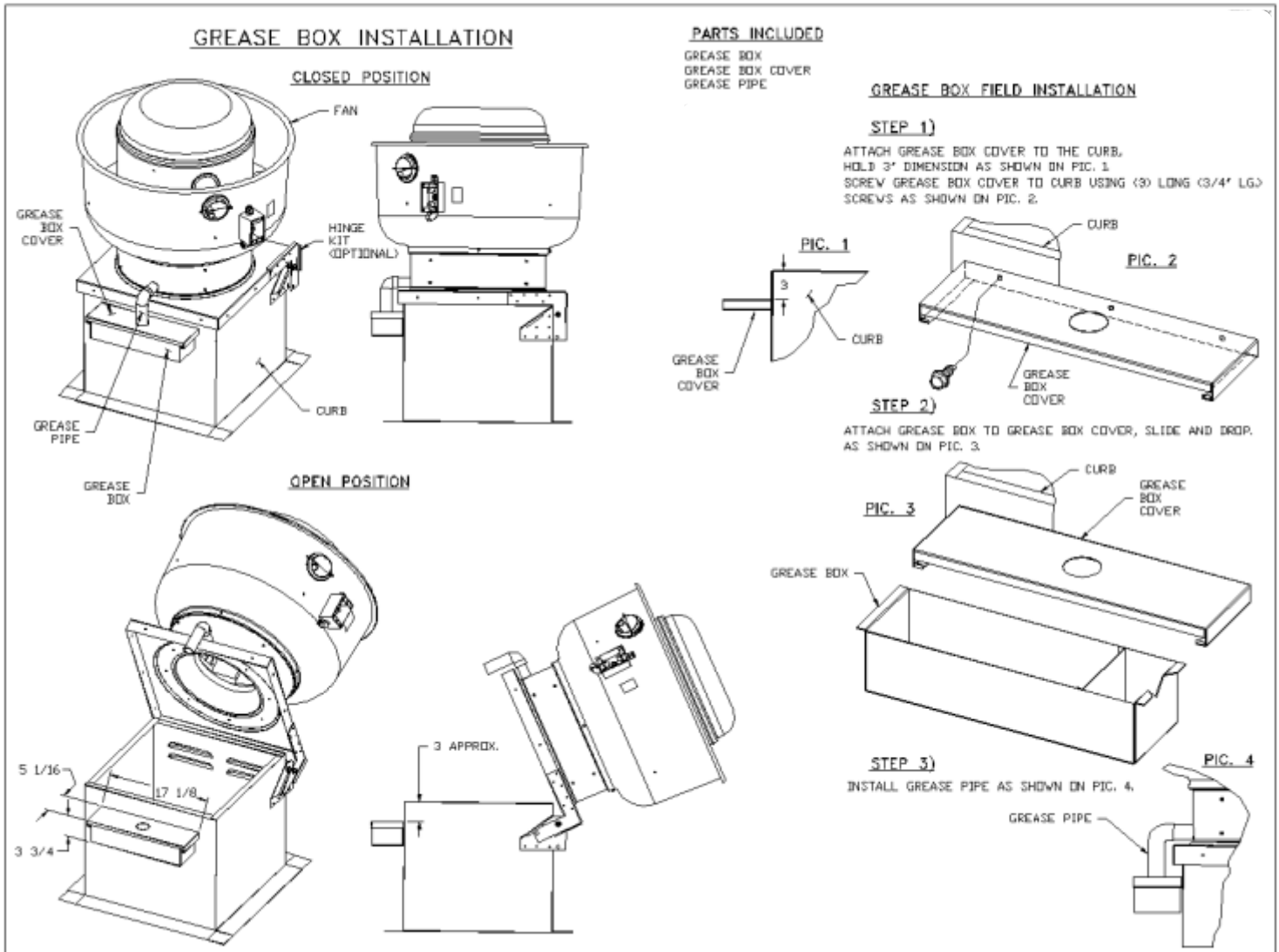


Model # EH-GREASE BOX  
 14 1/4" x 5 1/8" x 4 1/16"

Model # EH-GREASE BOX  
 17 1/16" x 5 1/8" x 3 3/4"

Grease Drain Hose  
 1 3/4"

# Installation Instructions

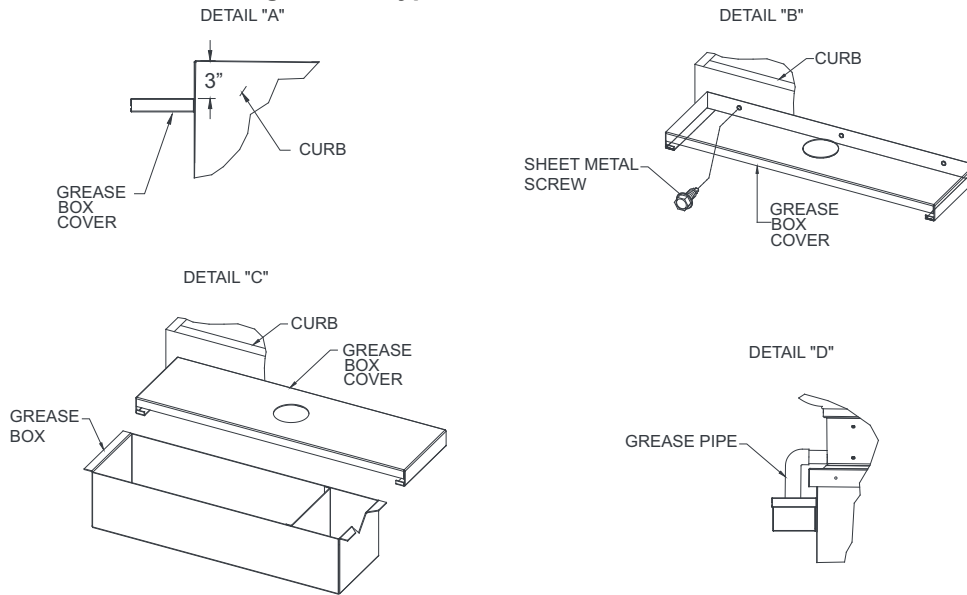


## Typical Grease Box Installation

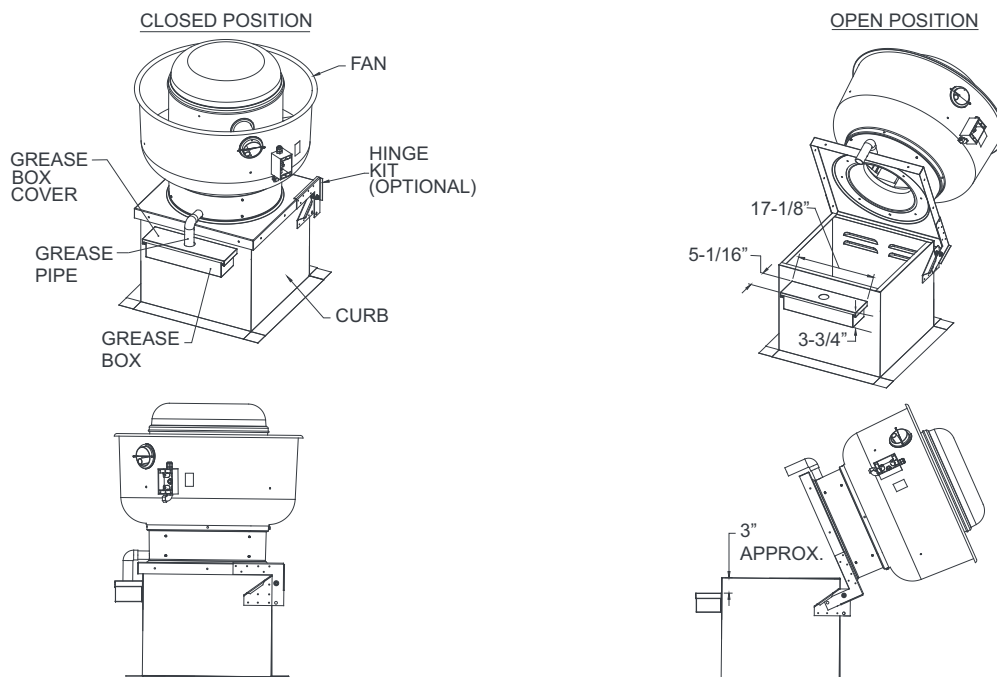
### Grease Box Field Installation

1. Mark a mounting location 3" from the top of the curb for the grease box cover. Refer to **Figure 15** detail "A":
2. Secure grease box cover to the curb using sheet metal screws (qty 3) Refer to **Figure 15** Detail "B"
3. Slide grease box into the grease box cover lip. Refer to **Figure 15** Detail "C"
4. Install grease pipe into the grease box cover. Refer to **Figure 15** Detail "C"

**Figure 15 - Typical Grease Box Installation**



**Figure 16 - Grease Box Installed**



Contact:  
 Brent Gilbertson  
 678-361-5559  
[Brent@BuyDirectFromSuppliers.com](mailto:Brent@BuyDirectFromSuppliers.com)

# Universal Deep Fryer Splash Shield

For Use With Any Deep Fryer



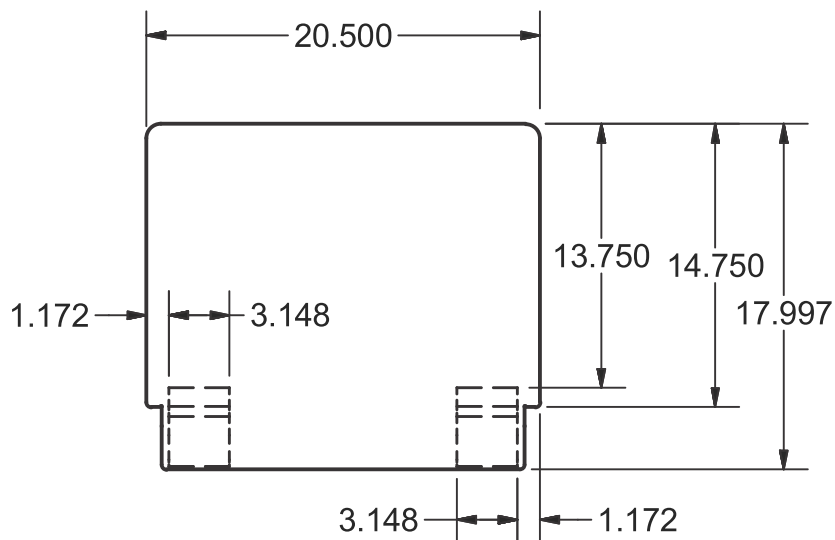
**Features:**

- Fits Left or Right Side of Fryer
- Easily Removable for Ease of Cleaning

**Material:**

- 18 ga. Stainless Steel

Part Number	Overall Dim. (l x w)
Superior -Fryer Guard	20 1/2" x 18"



Contact:  
Brent Gilbertson  
678-361-5559

[Brent@BuyDirectFromSuppliers.com](mailto:Brent@BuyDirectFromSuppliers.com)

## 12 GA Galvanized Steel Exhaust Hinge Kit



# Installation Instructions

### HD HINGE KIT INSTALLATION

**CLOSED POSITION**

**OPEN POSITION**

**ATTENTION!**  
INSTALLER MUST READ LABEL NEAR DISCONNECT SWITCH MESSAGE ON LABEL. \*INSTALLER SHOULD SUPPLY ENOUGH ELECTRICAL CORD TO LET FAN MAKE COMPLETE SWING\*

9 APPROX.      2 APPROX.

**DETAIL "A"**

FAN BASE  
CURB PLATE (LEFT)  
FAN PLATE (LEFT)

**PARTS INCLUDED**

- 2 - FAN PLATES (LEFT & RIGHT)
- 2 - CURB PLATES (LEFT & RIGHT)
- 2 - WHIZ BOLTS
- 6 - WHIZ NUTS

**HARDWARE**

- 20 - 1/4"-20 WHIZ BOLTS
- 20 - 1/4"-20 WHIZ NUTS

**HINGE KIT FIELD INSTALLATION**

**STEP 1)**  
ASSEMBLE FAN PLATE WITH CURB PLATE AS SHOWN ON PIC. 1 AND PIC. 2 (IF PARTS ARE NOT ASSEMBLED).

**STEP 2)**  
SEE DETAIL 'A' FOR POSITIONING FAN PLATE ON FAN BASE. LINE UP FAN BASE EDGE TO INSIDE EDGE OF FAN PLATE AS SHOWN ON PIC. 3.

**STEP 3)**  
BOLT THE FAN PLATE TO THE FAN BASE USING (3) 1/4"-20 HARDWARE. NOTE: RUN THE BOLTS FROM INSIDE THE FAN BASE, ALWAYS BE SURE THAT HARDWARE DOES NOT INTERFERE WITH CURB WHEN FAN SVINGS SEE PIC. 4.

**STEP 4)**  
BOLT THE CURB PLATE TO THE CURB USING (9) 1/4"-20 HARDWARE. TIGHTEN NUT AND BOLT ASSEMBLY, ENSURE FAN SVINGS PROPERLY.

Contact:  
 Brent Gilbertson  
 678-361-5559  
[Brent@BuyDirectFromSuppliers.com](mailto:Brent@BuyDirectFromSuppliers.com)

# Universal Deep Fryer Joiner

*For Use With Any Deep Fryer*



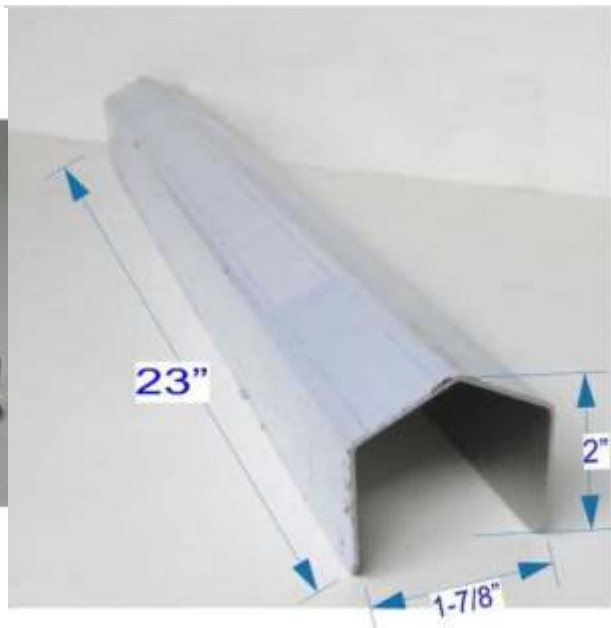
**Features:**

- Easily Removable for Ease of Cleaning

**Material:**

- 18 ga. Stainless Steel

Part Number	Overall Dim. (L x W x H)
Superior-Fryer Joiner	23"x1 7/8"x 2"



# Flush Mount Vapor Light Fixture L66-1805

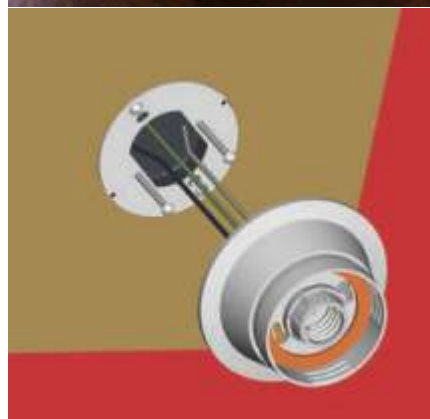
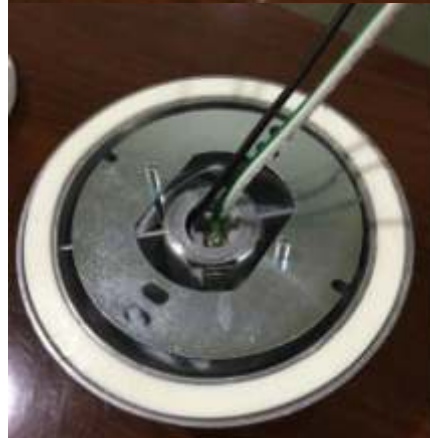


## QUICK-MOUNT HOUSING INSTALLS IN SECONDS

- Quick-mount base installs to junction box in one-third the time of standard surface mount fixture
- Sanitary, rustproof cast aluminum fixture
- Impact and thermal shock-resistant, clear tempered or coated glass globe
- Easy mounting to standard junction box
- Meets requirements for NFPA Code 96 and NEC 410

## SPECIFICATIONS

- Die-cast aluminum alloy body brushed finish
- Clear tempered or coated glass globe
- Porcelain socket, nickel-plated copper shell  
Maximum 100 W bulb (not included)
- Silicone gaskets
- Wire leads are 6" (152mm) long .
- Housing and globe, 5-1/2" dia . x 8-1/2" high (140x216 mm)
- Mounts to standard 3-1/2" (89mm) or 4" (102mm) junction box



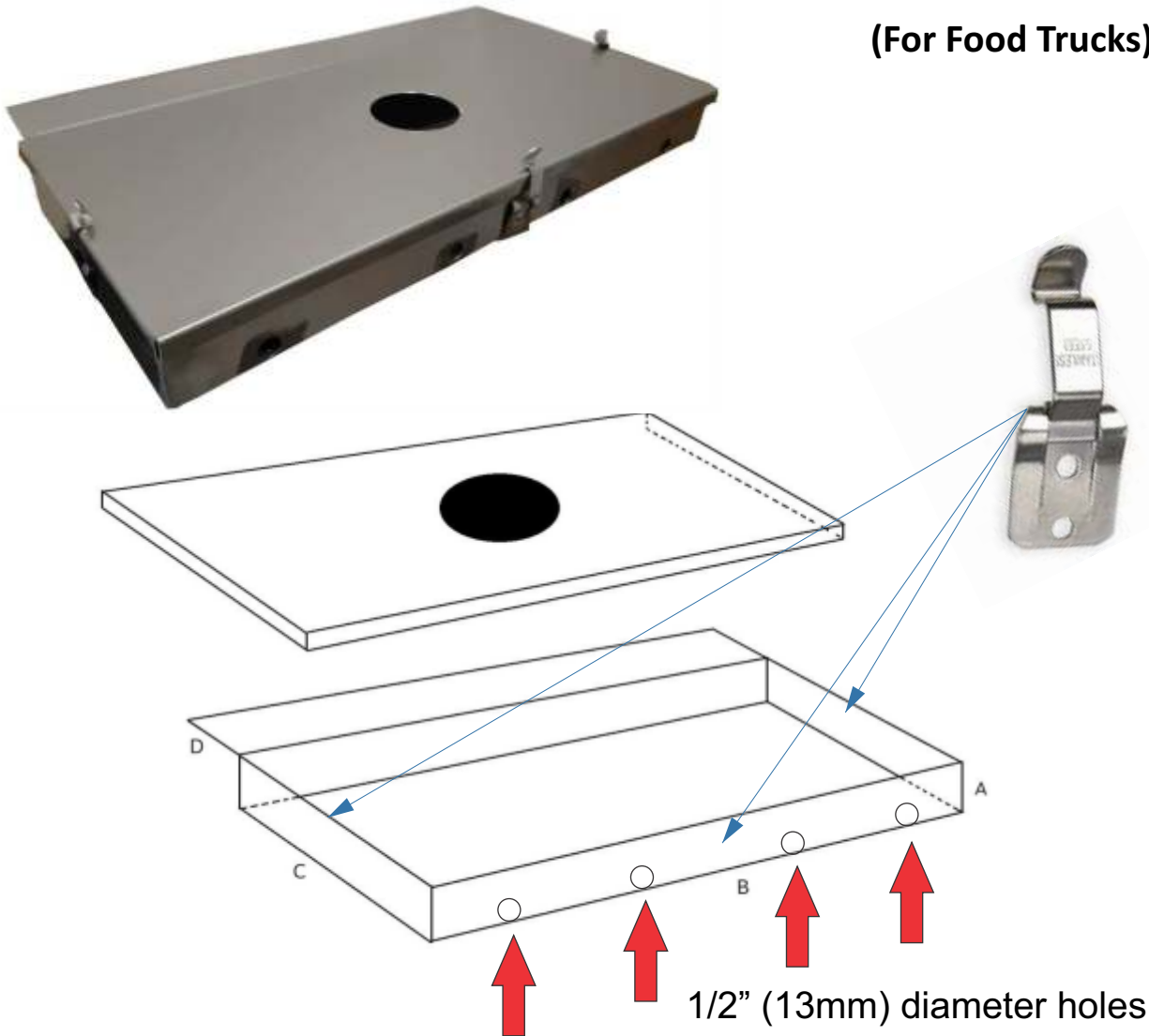
PRODUCT DATA SHEET

## MOUNTING

1. Fasten supplied cover plate to your utility box
2. Line up keyholes in housing with long mounting screws supplied with cover plate
3. Twist housing to lock
4. Tighten screws

Contact:  
 Georgia:  
 Brent Gilbertson  
 678-361-5559  
[Brent@BuyDirectFromSuppliers.com](mailto:Brent@BuyDirectFromSuppliers.com)

## Low Profile Grease Box (For Food Trucks)



MODEL #	A	B	C	D
12-9090	2"	18"	8"	2"

- Low profile design, ideal for food trucks
- Provides grease collection for exhaust units
- Removable lid for easy access to grease filter
- Includes hardware for mounting to fan base and curb